



SOL^{Plus}

Technical Specifications



3D Print Technology
LCD



Print Area
12.7 (W) x 21.8 (D) x 12 (H) cm
5 (W) x 8.6 (D) x 4.7 (H) in



UV Wavelength
385-405 nm



Dimensions
44 (W) x 37 (D) x 50.5 (H) cm
17.3 (W) x 14.6 (D) x 19.9 (H) in



XY Resolution
45 μ m



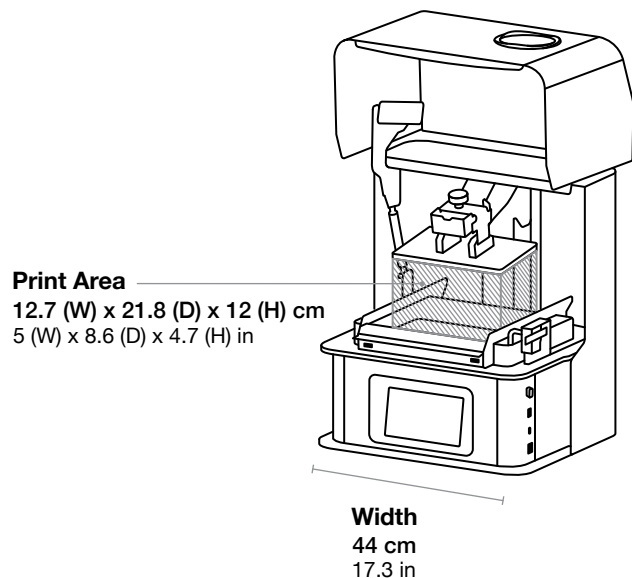
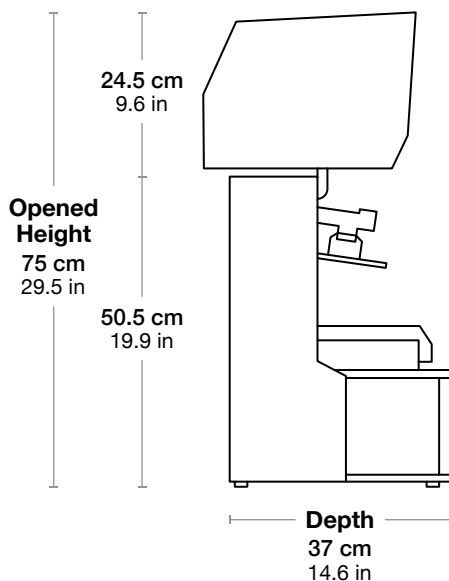
Power Input
100-240VAC, 50-60Hz



Weight
Approx. 30 kg
Approx. 66 lbs



Layer Thickness
30-150 μ m



Visit ackuretta.com to learn more
For sales inquiries, contact sales@ackuretta.com